

# RS232 to RS485/RS422 Converter

## RC23



- 2-Wire / 4-Wire Operation
- 115.2 kbps Data Rate
- Opto Isolation
- Built-In Power Supply

**RS232 to RS485/RS422 Converter RC23** optically isolates and converts unbalanced, Full/Half-Duplex RS232 signals to optically isolated, balanced, Full/Half-Duplex RS422 or RS485 signal at baud rate up to 115.2 kbps. This unit also surge suppress the RS422/RS485 lines. Features send data control circuitry so no software control of handshake lines is required in RS485 Mode.

### Specifications

#### Serial Interface

**Serial Standards:** RS232, RS485/RS422

Screw Terminals on Base Sockets

**Loading:** RS485/422 Max 32 Unit

#### Distance:

RS232 Length 15 m.

RS485/422 Length 1 Km.

#### Operating Mode:

RS485 (2-Wire, Half Duplex)

RS485 (4-Wire, Half Duplex)

RS422 (4-Wire, Full Duplex)

**Data Rate:** Up to 115.2 kbps

**Isolation:** Opto Isolation, 2000 VAC

#### Power Requirements

**Power Supply:** 110 VAC, 220 VAC

12 VDC, 24 VDC (Optional)

#### Environmental Limits

**Operating Temperature:** 0 to 55 °C

**Operating Humidity:** 5 to 95% RH

**Storage Temperature:** 0 to 70 °C

#### Physical Characteristics

**Dimension:** W50 x H70 x D130 mm.

**Mounting:** Wall or DIN Rail

**Connection:** Plug-in 11 pins socket

#### Warranty

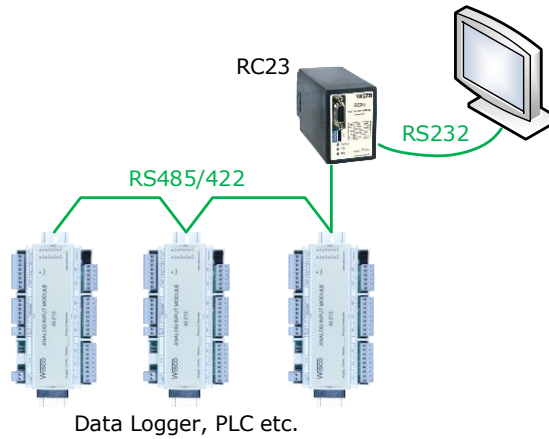
**Warranty Period:** 5 Year

**Ordering Information:** Specify Power Supply

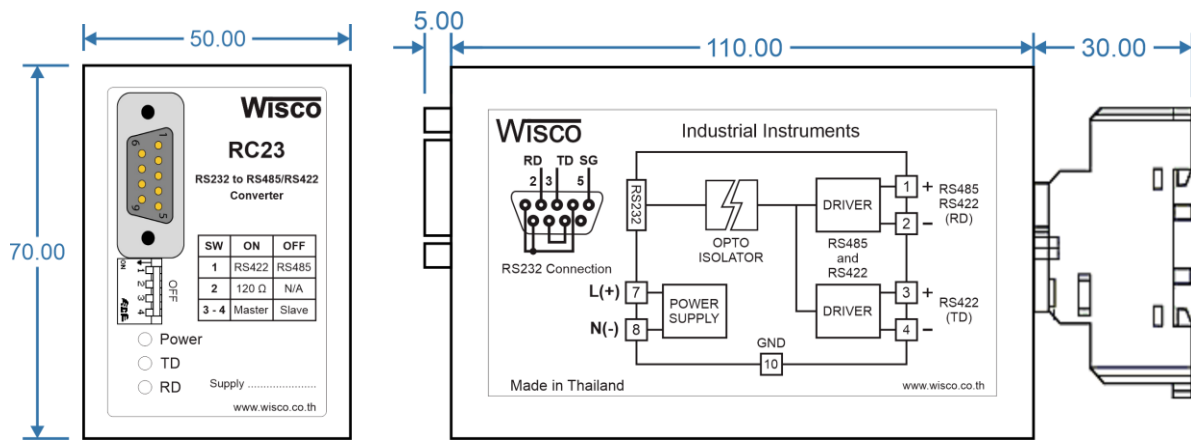
Example RC23/220VAC

#### Package Checklist

1. RC23
2. RS232 Cable



## Dimension (Unit: mm.)



## Wiring

